

## Break-A-Way Window Draperies and Shower Curtains

Break-A-Way Window Draperies are specifically designed for use with Break-A-Way tracks. Four inch box pleats are double locked stitched with a header of 1-1/2" continuous loop tape. Bottom hems are 3" and sides are 1" turned. Curtains will have a flame resistant lite or black out liner. All flame resistant cubicle curtain fabrics are available as Break-A-Way Window Draperies.

## Break-A-Way Track and a Lined Box Pleated Window Drapery

**Ceiling Mounted  
Break-A-Way Track**



Ceiling mount or Inside  
Window mount Break-A-  
Way track with curtain

**Wall Mounted  
Break-A-Way Track**



Wall mounted Break-A-  
Way track with a Lined Box  
Pleated Window Drapery

This system provides an attractive window covering while being a "safe" drapery, since no continuous cords or tapes are required. The lack of drapery pins or hooks, allows for machine laundering and easy rehangng of drapery.

## Track Details

These details represent just a few of the many possible methods for installing the Break-A-Way Track. If specific procedures are outlined in contract documents, verify with the architect exactly which method to follow.

**Break-A-Way Track**



**Section size:** 1 7/16" x 9/16" x .062 Used as ceiling, soffit, or inside window frame mounting. Extruded 6063-T5 aluminum with satin anodized finish. Available in straight lengths or with 12" radius bends. Supplied with 3 **Safety Tabs** per foot.

**Break-A-Way**



**Section size:** 1 3/16" x 1 5/16" x .062" Wall mounted, extruded 6063-T5 aluminum with satin anodized finish. Straight lengths only. Supplied with 3 **Safety Tabs** per foot.

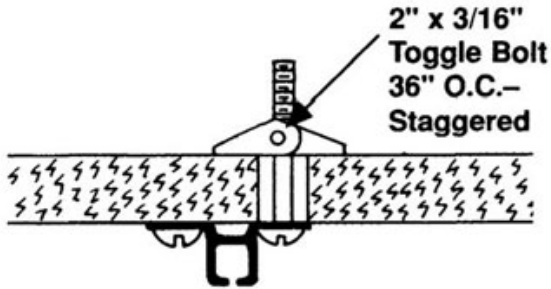
**Safety Tabs**



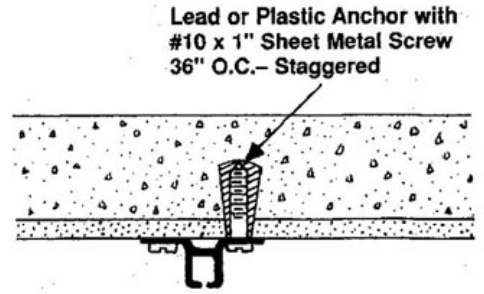
**"Safety Tabs"** are 4" long and 3/4" wide. The amount of resistance before "breaking" is determined by the number of tabs installed in the track.

# Installation:

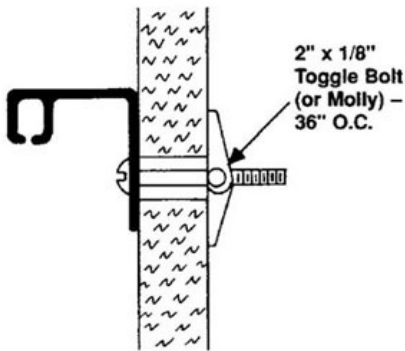
## Mounting To Plaster or Gypsum Board Ceiling



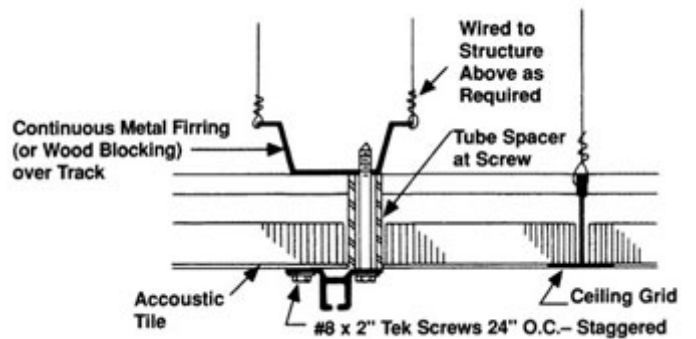
## Mounting To Concrete Ceiling



## Mounting To Concrete Wall



## Mounting Through Suspended Ceiling To Furring Above



## Summit Curtains

Summit Cloth has an antimicrobial and stain resistant finish. This pattern is a 100% flame resistant polyester fabric that is among our most popular. Attractive and economically priced, it provides good value. All colors in stock to ensure prompt delivery.



## NEW WINDSOR

VISA® Finish

100% POLYESTER FR

Inherently Flame Resistant



100% Polyester FR • Washable to 160°F. • See Care Instructions Reverse Side